



Mikrofyn Depthman™

Turn your dipper stick into a measuring tool!

The Mikrofyn Depthman™ from Mikrofyn is designed for Digging applications where only indicate control is required. Mounted on the dipper stick it works with any rotating laser and transforms your dipper stick into a measuring tool. The Mikrofyn Depthman™ reception area is 200°. The intensity of the LED cluster of indicator lights can be seen even on the brightest of days and indicates the on grade position relative to the plane of laser light. With its patented internal verticality control system, grade control will be more accurate as verticality is a prerequisite for precise measurements.

Advantages

- Works with any rotating laser.
- Daily set-up can be done in minutes.
- Delivers accurate grade readings with its built-in patented plumb indication.
- Can be installed on any excavator or back-hoe.
- Comfortable reactivation while in stand-by without leaving the cabin (Shake to Wake).
- Intuitive indications and uses – no extensive studies of manual necessary.
- Very easy to understand and use.

Constant Accuracy Band (CAB)

Maintains “on-grade” accuracy regardless of operating distances spot size, or rotating laser type, either $\pm 1/6$ ” (4 mm) or $\pm 1/2$ ” (12 mm) depending on jobsite requirements.

Pole Mount

When used with the optional clamp-on assemblies, the Depthman can be pole mounted for use on any machine.

Magnetic Mount

The Depthman is extremely convenient with its powerful magnetic mount. It takes seconds to attach to the machine. No drilling or welding is required.

Memory

When the Depthman is out of the range of the laser an LED will blink indicating which way to move the sensor to reacquire the laser.

Shake to Wake

The unique “SHAKE TO WAKE” system turns off non-essential electronics after 5 minutes of non-use. It automatically turns back on when your machine begins to move again.

Indicate or Automatic Control

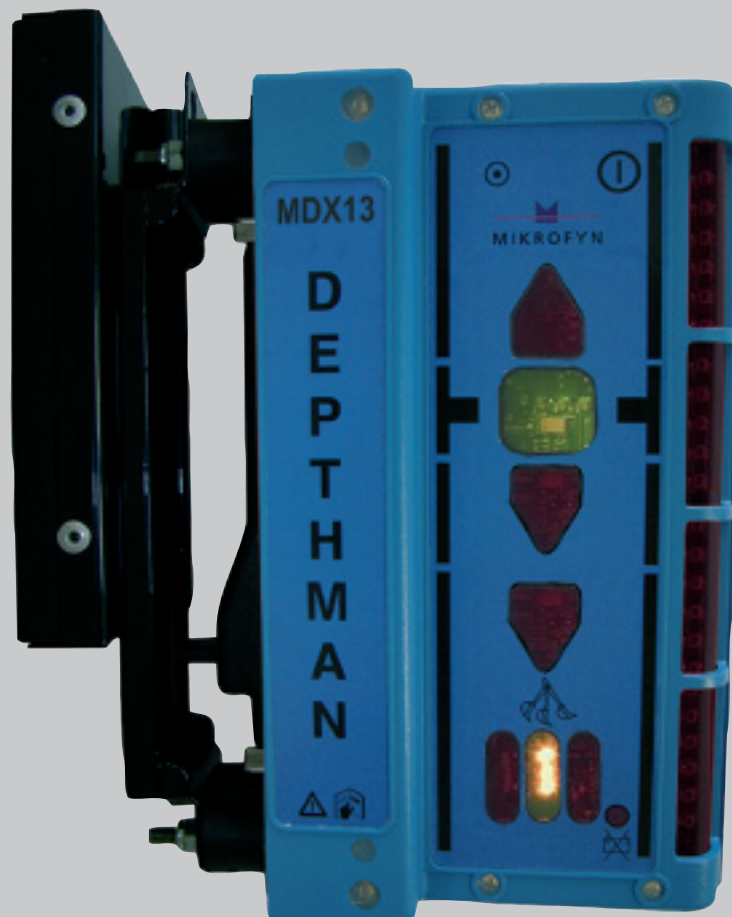
The Depthman can be used as an indicate only system using the highly visible LED’s for grading or excavating. Using an optional control panel, the Depthman can even be used for full hydraulic blade control.

Patented Plumb Indicator

It monitors the excavator’s dipper arm vertically for consistent and accurate grade readings.

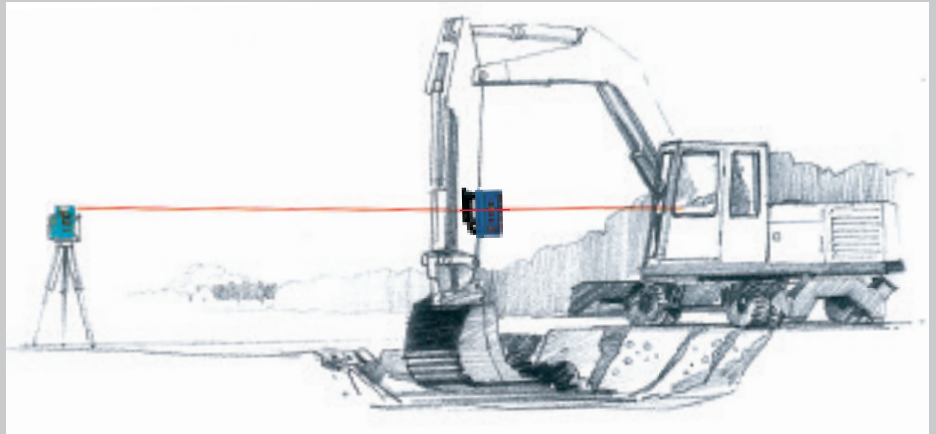
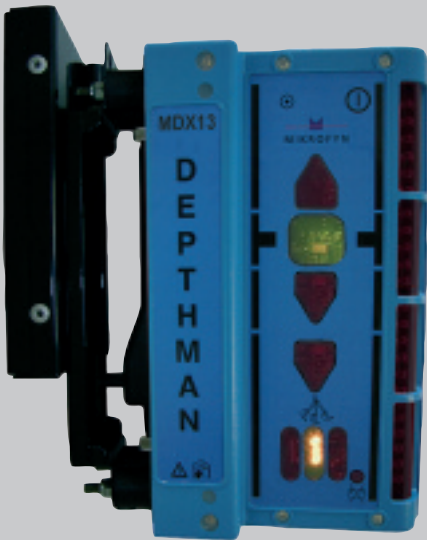
Mirror Image Mounting

Front and rear display panel of the Depthman are the same for mounting on either side of the machine.



Mikrofyń Depthman™

Easy to understand
– easy to use!



TECHNICAL DATA

Constant Accuracy Band:	$\pm 1/6''$ (± 4 mm) or $\pm 1/2''$ (± 12 mm)
Sensor Reception Area:	8.3" (210 mm) vertical, 200° horizontal
Power Requirements:	Ni-Cad, rechargeable battery or 11 – 30 VDC Battery Life Greater than 48 hours of use Battery Saving Automatic stand-by after 5 minutes of non-use, complete shut off after 1 1/2 hours.
Weight:	5.216 lbs. (2,3 kg)
Dimension:	10 x 5.7 x 3" (254 x 145 x 76 mm)
Clamp-on Brackets Mounting (pipe):	Round 2" (50 mm) Square 1 1/2" (38 mm)
Magnet Mounting:	Any flat ferrous surface
Pulling Force:	450 lbs. (220 kg)
Weight:	5.3 lbs. (2,4 kg)



Mikrofyń A/S · Bondovej 16 · 5250 Odense SV · Denmark · www.mikrofyń.com

Since the start in 1987 Mikrofyń A/S has placed itself among the top-five worldwide manufacturers of professional precision lasers and machine control systems. The profits of the business are reinvested in new products and growing the business.

Mikrofyń is built upon sound principals of developing and manufacturing state-of-the-art products, supported by experts and cooperating with outstanding professional local distributors.

AUTHORIZED MIKROFYŃ DISTRIBUTOR: